

Aqua-GuardTM Worksheet

Project Information	Specifier Information
Project Name: _____	Designer's Name: _____
Location (City, State): _____	Design Firm: _____
Site Use (circle one): Residential Commerical Industrial Other	Address: _____
Site Plan Attached: <input type="checkbox"/> YES <input type="checkbox"/> NO	City, State, Zip: _____
Pollutants (TSS, Floatable Debris, oils/grease, TP, etc.): _____	Phone: _____
AutoCAD Version: _____	Fax: _____
Date Submitted: _____	E-mail: _____

Specifications

Unit Label or Number	Aqua-Guard TM Model	Design Flow Rate		Inlet Frame & Grate Cover				Catch Basin Size			Drainage Area Info	
		Water Quality Treatment Flow ¹ (cfs - L/s)	Peak Design Flow ² (cfs - L/s)	Frame (L x W or Dia.) (in - mm)	Rim of Frame (under grate cover) (in - m)	Grate Cover (L x W or Dia.) (in - mm)	Grate Thickness (edge & middle) (in - m)	Total Depth (top of grate to bottom) (in - mm)	Depth to Top of Pipe (in - mm)	Pipe Diameter (in - mm)	Area (acres - ha)	Percent Impervious (%)

Special Site Conditions or Requirements: _____

Please provide copy of Site Plans showing orientation

How did you learn about Aqua-ShieldTM ? _____

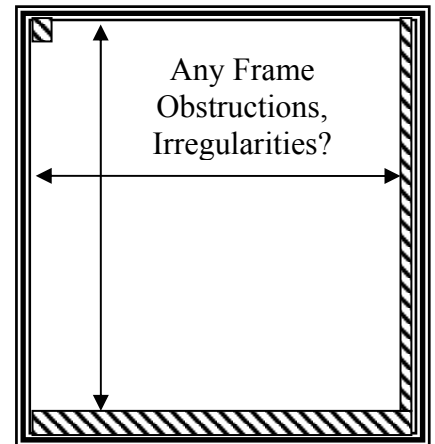
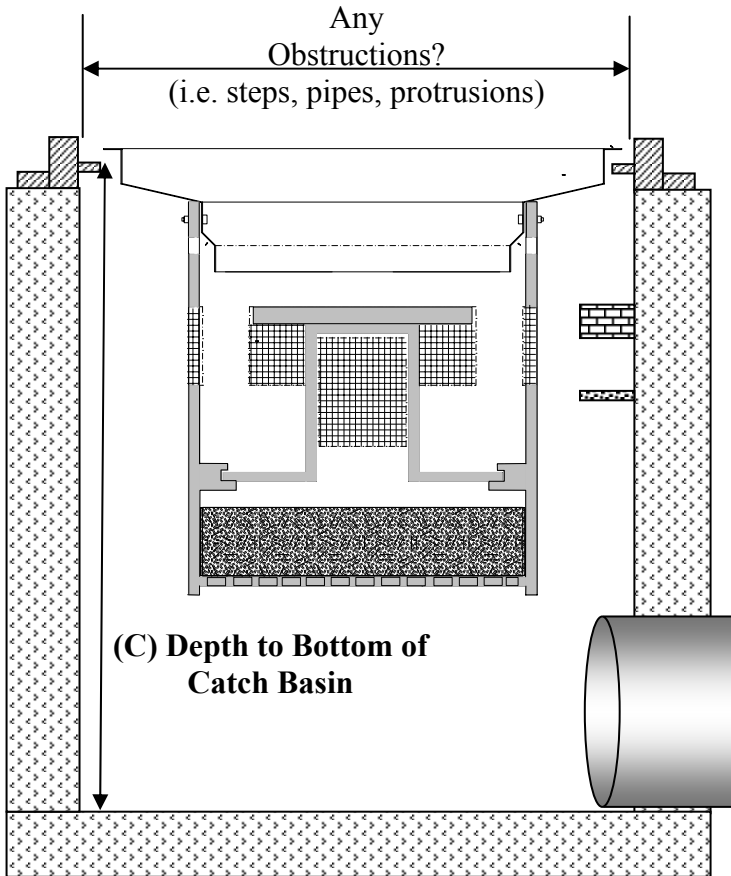
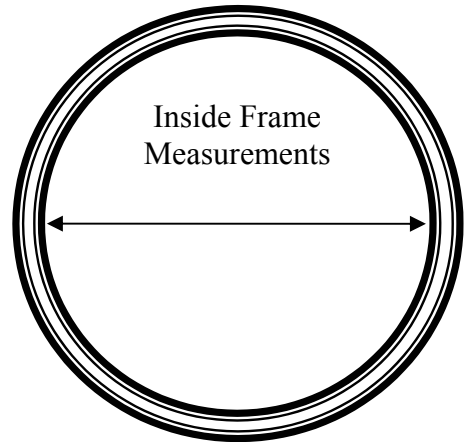
(1) Water Quality Treatment Flow is prescribed by local regulatory agencies to achieve full treatment of specific amount of stormwater.
 (2) Peak Design Flow refers to maximum calculated flow for an outfall or recurrence interval (10-yr, 25-yr event)

Specifier's Signature: _____ **Date:** _____

Aqua-Guard™ Worksheet



(B) Surface Drain Grate Frames



(A) Surface Grate Cover: Length _____ (in/cm) Width _____ (in/cm) - OR -
 Diameter _____ (in/cm) - AND -
 Thickness @ ends _____ (in/cm) @ center _____ (in/cm)

(B) Grate Frame: Length _____ (in/cm) Width _____ (in/cm) - OR -
 Diameter _____ (in/cm) Thickness _____ (in/cm)

(C) Depth of Catch Basin: _____ (in/cm)

NOTES: _____
